

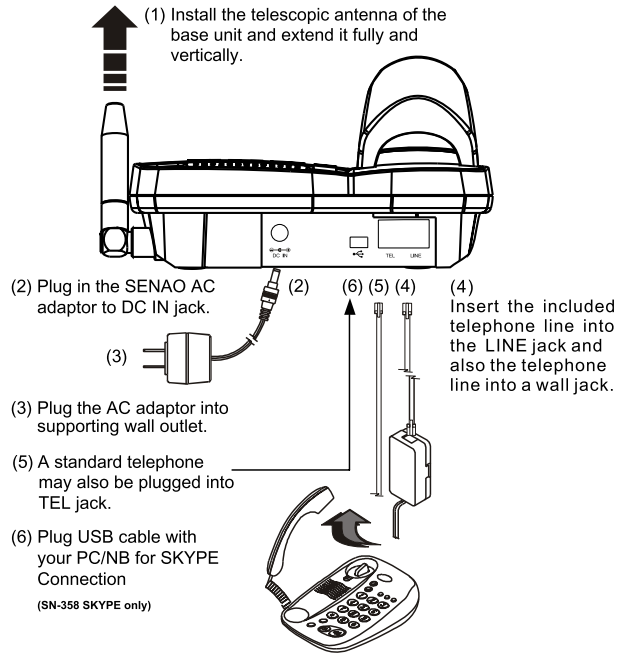
## Base Operation

## Handset Operation

### Installation

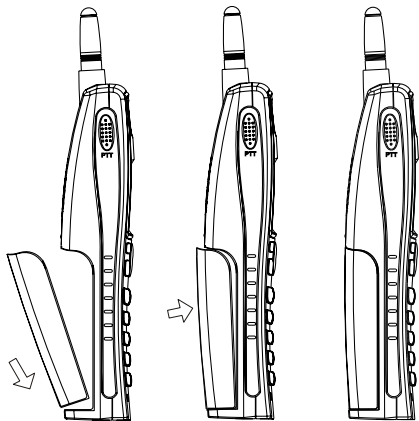
#### A. Base Unit

Please set up the base unit according to the following steps.



#### B. Handset

To install battery pack:



1

2

3

#### A. Call function

##### 1. Making calls

Press first and then dial the number after hearing the dial tone.  
For example, dial the phone number 22183588. → 22183588  
To hang up, press again.

##### 2. Redial

While in standby mode, press first, then press .  
 →

##### 3. Paging the target handset from the base unit

- Paging ( is the ID of target handset)  
Once only press key, it Means paging all handsets.  
To stop paging, press again.
- To accept a page, press any key except or remove from the charger if handset is locked.
- To end the intercom, press key or place the handset back onto the Charger.

##### 4. Intercom during a call

While you are using the base unit to make or answer an incoming call, there are 2 methods to page the handset and still keep your current telephone call.

- If you want to talk to any handset, simply press the key only.  
It will put the current telephone line on hold, play the hold music to the line, and the base unit will begin paging all handsets. Any handset can answer the page.
- If you would like to talk to a specific handset, follow these steps:  
 → → → paging  
( is the handset ID of target handset)  
This operation will send the current telephone call on hold music, and the base unit will page a specific handset ID . Only the handset with the unique ID number will be paged.
- During handset and base unit conversation, either the base unit or the handset can resume conversation with the call on hold by pressing on the base unit, or on the handset.

#### B. Making a Telephone number:

- Press → phone number.
- Enter phone number .

#### C. Answering incoming Calls:

- On incoming calls, the ringer will ring or vibrate unless the ringer
- If the handset is on charger cradle, lift the handset to pick up the incoming call.
  - If the handset is not on charger cradle, press any key to answer the incoming call except .
  - If you do not take the incoming calls, the display will prompt you have missed.  
Note: While receiving incoming calls, you can mute the ring by pressing key.

#### D. Disconnecting calls:

You can end a call by pressing or by placing the handset onto the charger cradle.

#### E. Redial:

- You can use the up Arrow () key to scroll through the last 10 phone numbers dialed. Select and press .
- Press , then press Left soft key redialing the last call.

#### G. Intercom:

- Paging the base from the handset:
  - Press the key on the handset and then press Base (left soft key) to establish intercom.
  - When the receiving party's voice is heard at the base, answer through the built in microphone.
- Paging the handset from the base:
  - Press the key to establish the intercom.
  - Press any key on the handset except to answer page.
- Paging the handset from another handset:  
This has to be done through the walkie-talkie mode. Please refer to the section. Walkie-Talkie Between Handsets.

#### H. Walkie-Talkie between handsets:

- Press the key followed by the 2 digit unique handset ID to establish contact.
- The call in progress will be put on hold.
- You may press and release the key at any time to establish contact with a separate handset.
- You can press the and then key to communicate to all of the other handsets.
- The base unit can join the conversation with the 2 other handsets by pressing the key. By pressing the key again cancels the group conference.
- During the group conference, the multi-Talk indicator on the base unit will be turned on.

## MAIN MENU

### 1. Keypad Settings

1. Keypad Guard Settings

2. Keypad Volume

### 2. Call Memory

1. Received Calls

2. Dialed Calls

### 3. Ring Setting

1. Ring Alert Settings

2. Ring Tone

3. Page Tone

4. Ring Volume

5. Group Ring Setting

### 4. Parameter

1. LCD Contrast Settings

2. Battery Saving

3. Voice Scramble

4. Flash Time

5. Back Light Settings

6. Restore Factory Settings

7. TonePulse Select Settings

### 5. Phone Setting

1. Customer Name Edit

2. Base Registration

3. Language Settings

4. Direct Incoming

### 6. Caller ID

1. Area Code

2. +Country Code

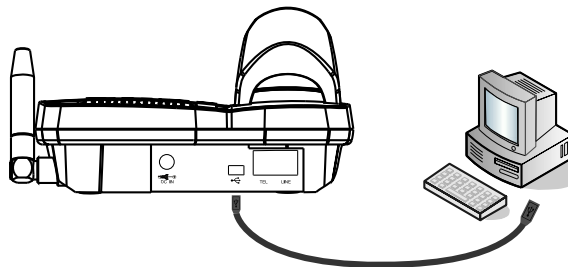
3. Call Waiting

## SKYPE Installation

(SN-358 SKYPE only)

### A. Installation

SN-358 SKYPE supports legacy PSTN calls and SKYPE calls. TO make the SKYPE calls, you have to connect the SN-358 SKYPE with your PC/NB by attached USB cable in advance. Follow the below figure to install the SN-358 SKYPE.



Also your PC/NB must be turned on and the SKYPE must be activated.

## SKYPE Operation

(SN-358 SKYPE only)

#### 1. View the SKYPE contact list:

Press **SKYPE**, you can view the contact list which stored in the SKYPE list one by one, each one will show its status in the display, for example, on-line, Not available, Press Up (▲) or Down (▼) to view next or previous list.

#### 2. Make a SKYPE call:

When view the SKYPE contact list, you can press either the **CALL** or the Dial (left soft key) to make the SKYPE call.

#### 3. Receive a SKYPE call:

When a SKYPE user calls you, the handset will ring, the display will show "incoming VoIP call from:xxxxxxx", at that time, you can simply press the **ANS** to answer the SKYPE call.

#### 4. Change SKYPE option:

You can change the mode of contact list which displayed in the LCD by following:

#### All the Ph. Book

- Press **SKYPE** and **OPTION** (right soft key), then following with Up (▲) or Down (▼) to choose the "All the Ph. Book", press **OK** (left soft key) to confirm.

When viewing the SKYPE contact list, you can see all the SKYPE contact list your already stored.

#### On-line Ph. Book

- Press **SKYPE** and **OPTION** (right soft key), then following with Up (▲) or Down (▼) to choose the "On-line Ph. Book", press **OK** (left soft key) to confirm.

When viewing the SKYPE contact list, you can see the lists which are on-line only.

#### Off-line Ph. Book

- Press **SKYPE** and **OPTION** (right soft key), then following with Up (▲) or Down (▼) to choose the "Off-line Ph. Book", press **OK** (left soft key) to confirm.

When viewing the SKYPE contact list, you can see the lists which are off-line only.

#### Missed call

- Press **SKYPE** and **OPTION** (right soft key), then following with Up (▲) or Down (▼) to choose the "Missed call", press **OK** (left soft key) to confirm.

When viewing the SKYP contact list, you can see the call lists which you missed to answer.

#### Incoming call

- Press **SKYPE** and **OPTION** (right soft key), then following with Up (▲) or Down (▼) to choose the "Incoming call", press **OK** (left soft key) to confirm.

When viewing the SKYPE contact list, you can see the call lists which you answered already.

#### Outgoing call

- Press **SKYPE** and **OPTION** (right soft key), then following with Up (▲) or Down (▼) to choose the "Outgoing call", press **OK** (left soft key) to confirm.

When viewing the SKYPE contact list, you can see the call lists which you dialed out already