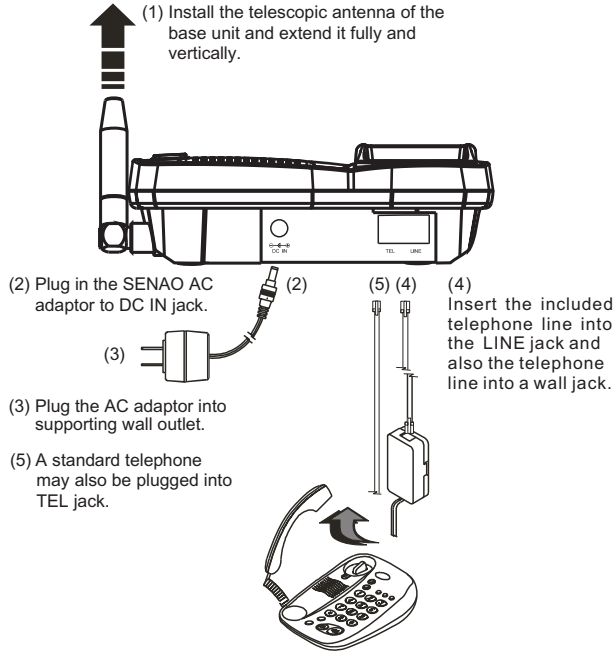


Installation

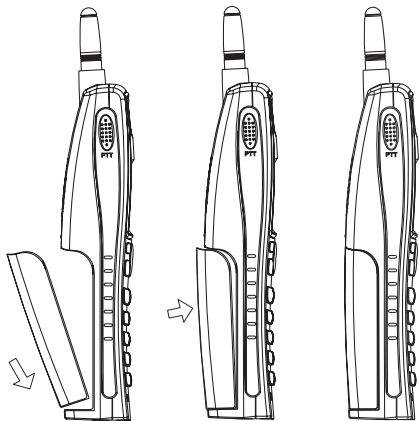
A. Base Unit

Please set up the base unit according to the following steps.



B. Handset

To install battery pack:



1

Base Operation

A. Intercom function

- Paging the handset from the base unit
 - press **Intercom** key, it Means paging all handsets.
To stop paging, press **Intercom** again.
 - To accept a page, press any key except **End** or remove from the charger if handset is locked.
 - To end the intercom, press **End** key or place the handset back onto the Charger.

Handset Operation

B. Making a Telephone number:

- Press **Call** → phone number.
- Enter phone number **Call**.

C. Answering incoming Calls:

- On incoming calls, the ringer will ring or vibrate unless the ringer
- If the handset is on charger cradle, lift the handset to pick up the incoming call.
 - If the handset is not on charger cradle, press any key to answer the incoming call except **End**.
 - If you do not take the incoming calls, the display will prompt you have missed.
Note: While receiving incoming calls, you can mute the ring by pressing **End** key.

D. Disconnecting calls:

You can end a call by pressing **End** or by placing the handset onto the charger cradle.

E. Redial:

- You can use the up Arrow (▲) key to scroll through the last 10 phone numbers dialed. Select and press **Call**.
- Press **Call**, then press **OPTION** Left soft key redialing the last call.

G. Intercom:

- Paging the base from the handset:
 - Press the **Base** key on the handset and then press Base (left soft key) to establish intercom.
 - When the receiving party's voice is heard at the base, answer through the built in microphone.
- Paging the handset from the base:
 - Press the **Base** key to establish the intercom.
 - Press any key on the handset except **End** to answer page.
- Paging the handset from another handset:

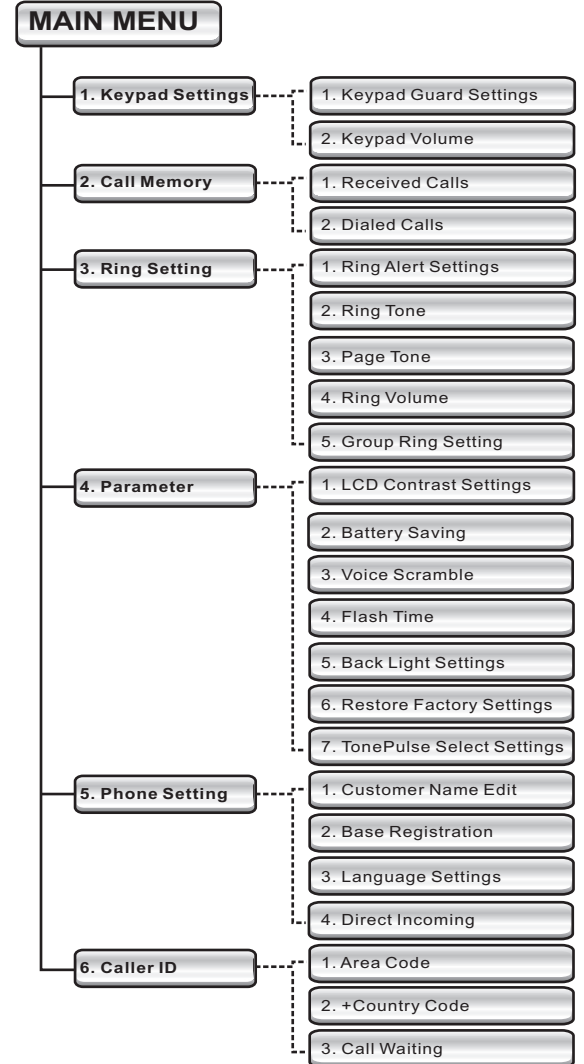
This has to be done through the walkie-talkie mode. Please refer to the section. Walkie-Talkie Between Handsets.

H. Walkie-Talkie between handsets:

- Press the **Base** key followed by the 2 digit unique handset ID to establish contact..

2

- The call in progress will be put on hold.
- You may press and release the **PTT** key at any time to establish contact with a separate handset.
- You can press the **Base** and then ***** key to communicate to all of the other handsets.
- The base unit can join the conversation with the 2 other handsets by pressing the **Base** key. By pressing the **Base** key again cancels the group conference.
- During the group conference, the multi-Talk indicator on the base unit will be turned on.



3



| | | | | | | | | | | |
|----------------|------------|----|-----|----|-----|---|-------|---------|--------------|---------|
| 部門 | 外觀設計課 | | | | 品名 | INSTRUCTION QUICK GUIDE 210*297mm (SN356) LFP | | 料號 | 6709A0213170 | |
| 日期 | 2009/02/10 | 比例 | 1/1 | 單位 | mm | 機種 | SN356 | 工業設計工程師 | | 盧欣茹 |
| 該專案經理人或業務之內容核准 | | | | | 梅學琪 | | 檢圖 | 溫思政 | | 機構設計工程師 |