

EAO-2400-15W

2.4GHz Omni Antenna

• 2.4GHz



#### PRODUCT DESCRIPTION

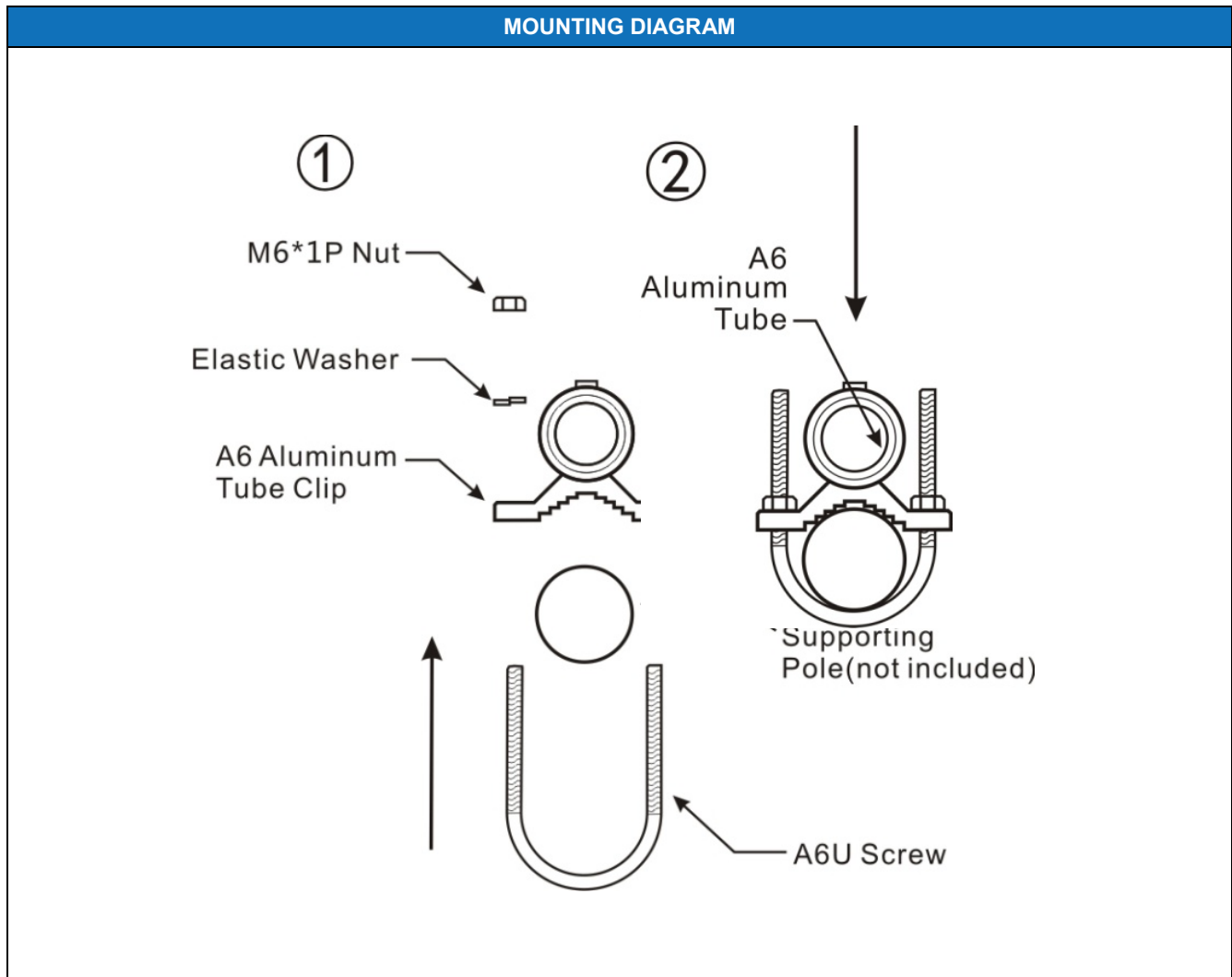
EAO-2400-15W is a high performance omnidirectional antenna designed for the 2.4 GHz band, and is well suited for multipoint applications where high gain and wide coverage is desired. Its diameter is  $\Phi 30\text{mm}$ .

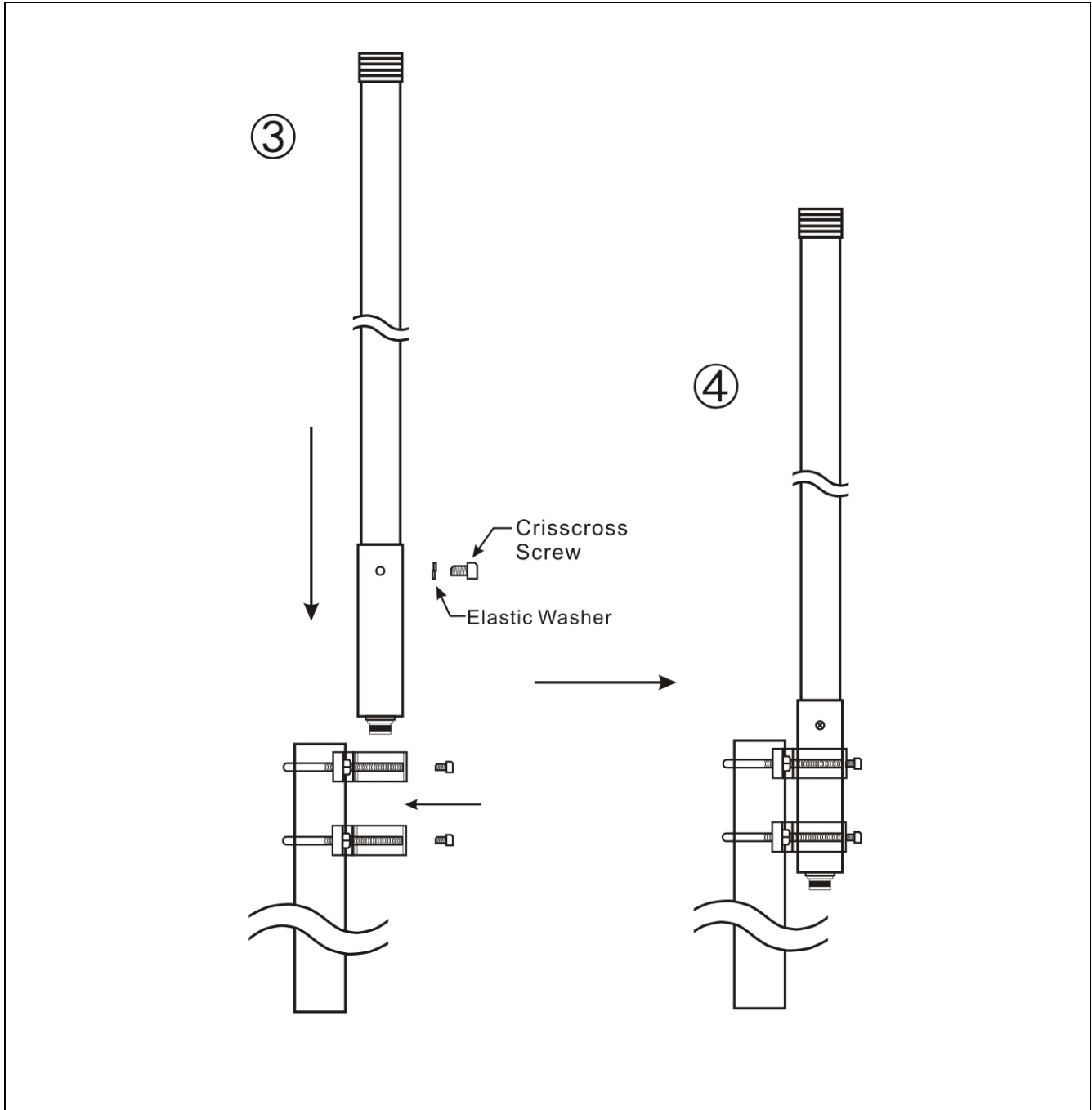
- IP66 Waterproof Level
- UV Protected and Durable Fiberglass Radome
- Heavy-duty Extruded Aluminum Bracket and Stainless U-Bolt
- RoHS Compliant

#### PRODUCT SPECIFICATION

PRODUCT SPECIFICATION	
Frequency (MHz)	2400-2483
Gain	15 dBi
VSWR	$\leq 1.5$
Horizontal Beamwidth-°	360
Vertical Beamwidth-°	5
Polarization	Vertical
Impedance ( $\Omega$ )	50
Maximum input power (W)	50
Connector	N Female

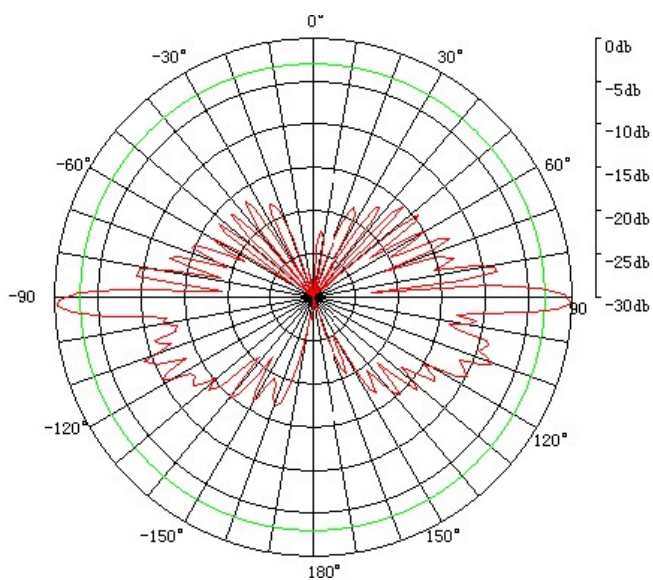
MECHANICAL SPECIFICATION	
Antenna Dimension-mm	Φ30×1600
Weight-Kg	1.5
Radome Material	Fiberglass
Mounting Mast Diameter-mm	Ø40~Ø60
Operating Temperature	-40~60





ANTENNA RADIATION PATTERN

E PLANE



H PLANE

